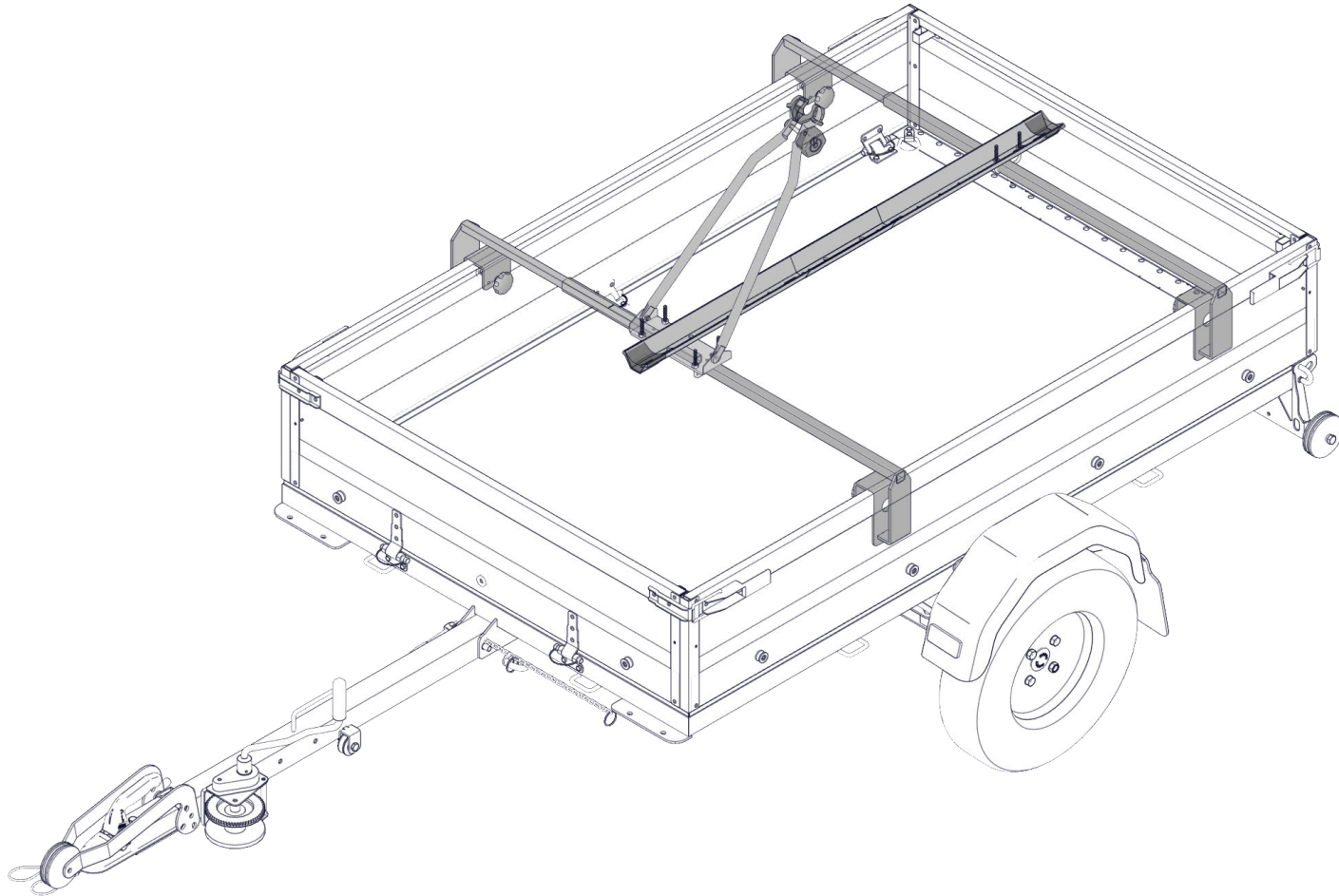

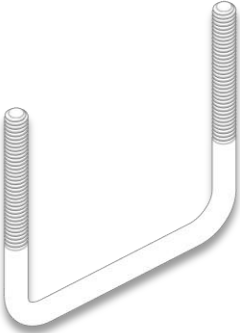
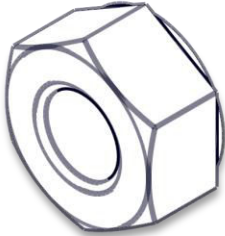
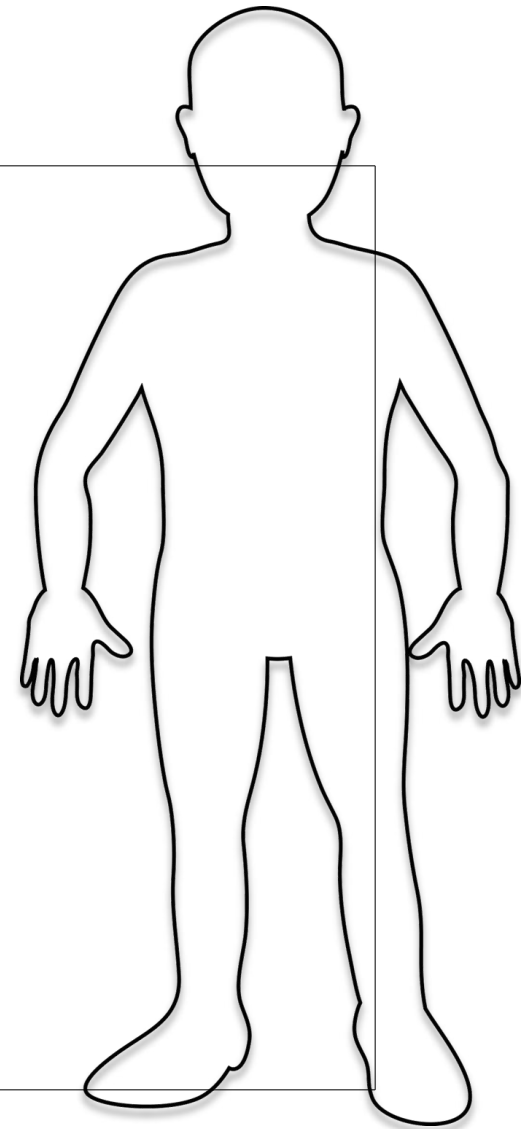


Installation manual :

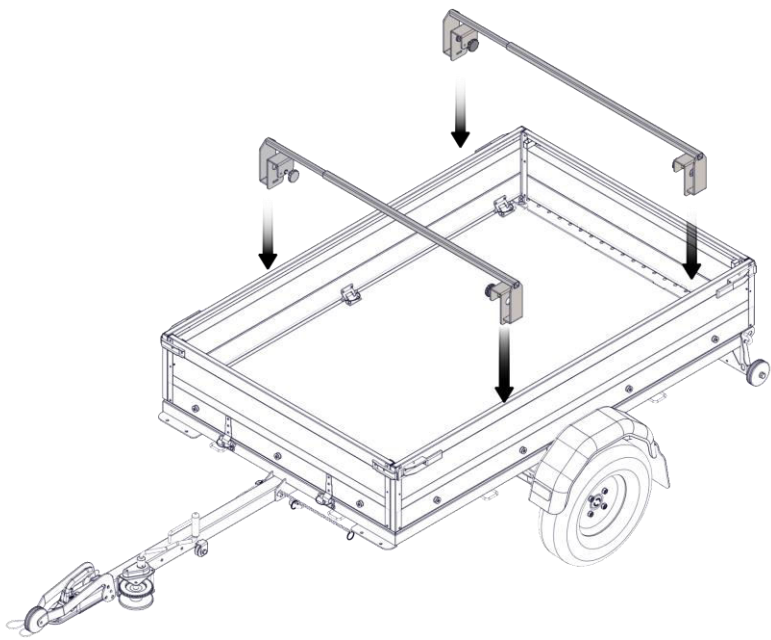
Bike Holder



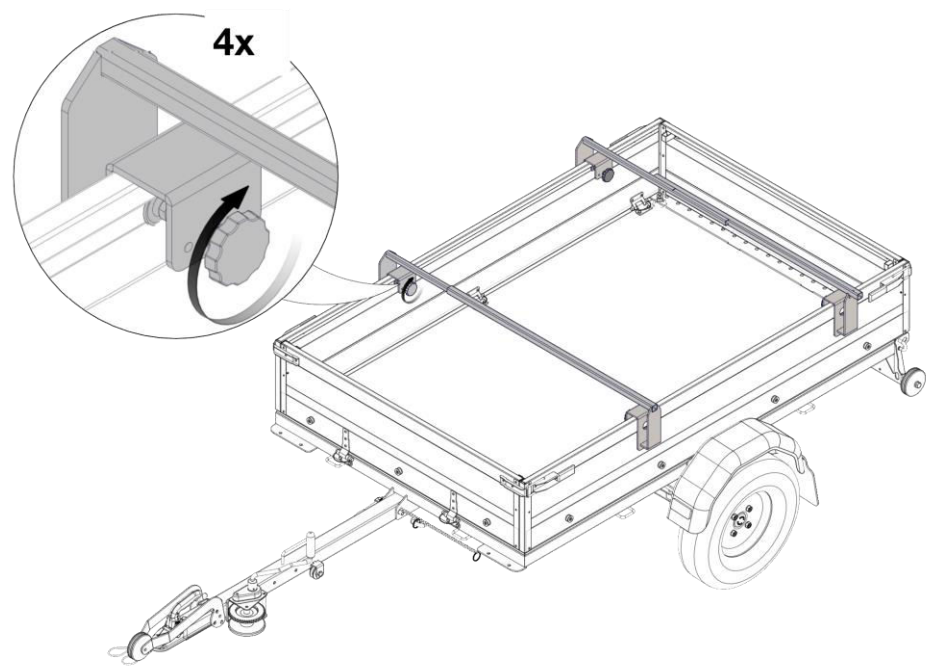
| | | |
|---|---|---|
|  |  |  |
| <p>13 mm</p> | <p>Bike holder part (3x)</p> | <p>ISO - 4032 M8 – W – C (6x)</p> |



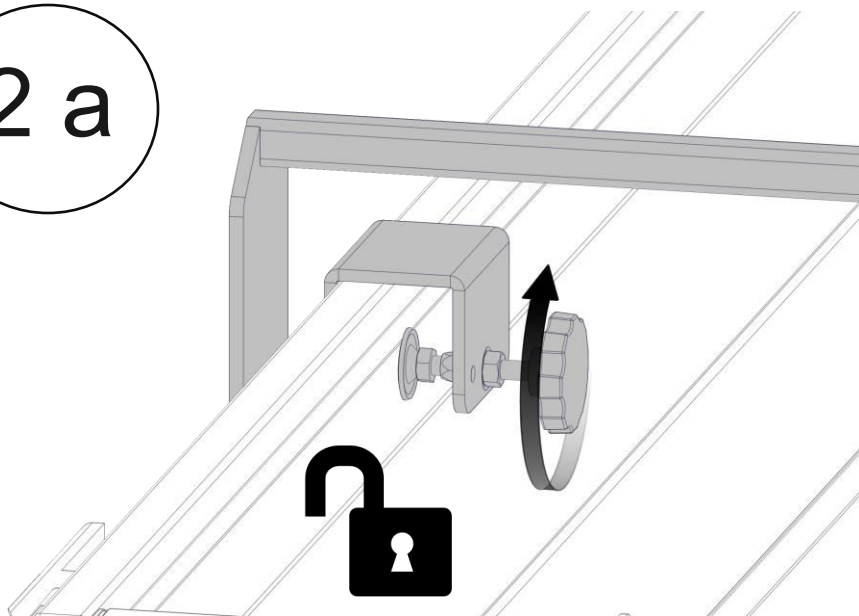
1



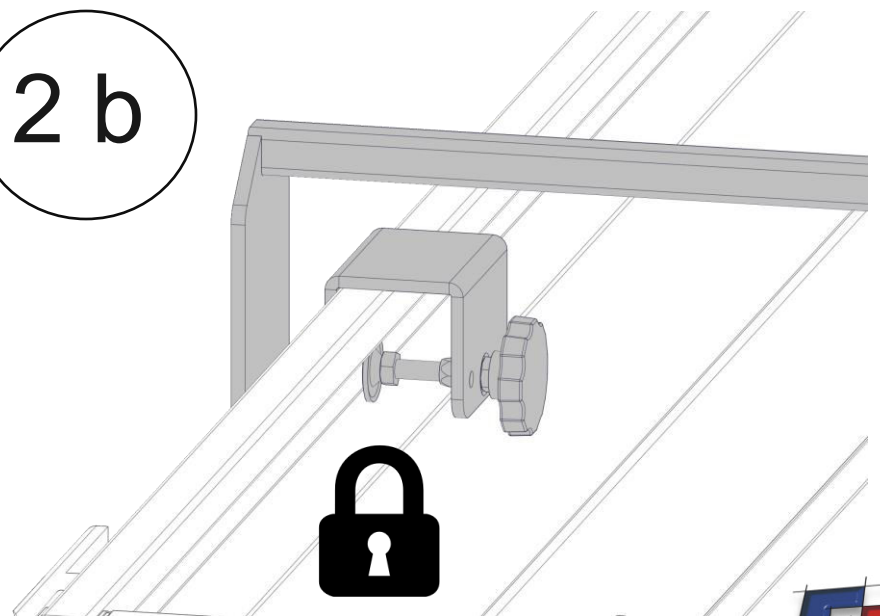
2



2 a

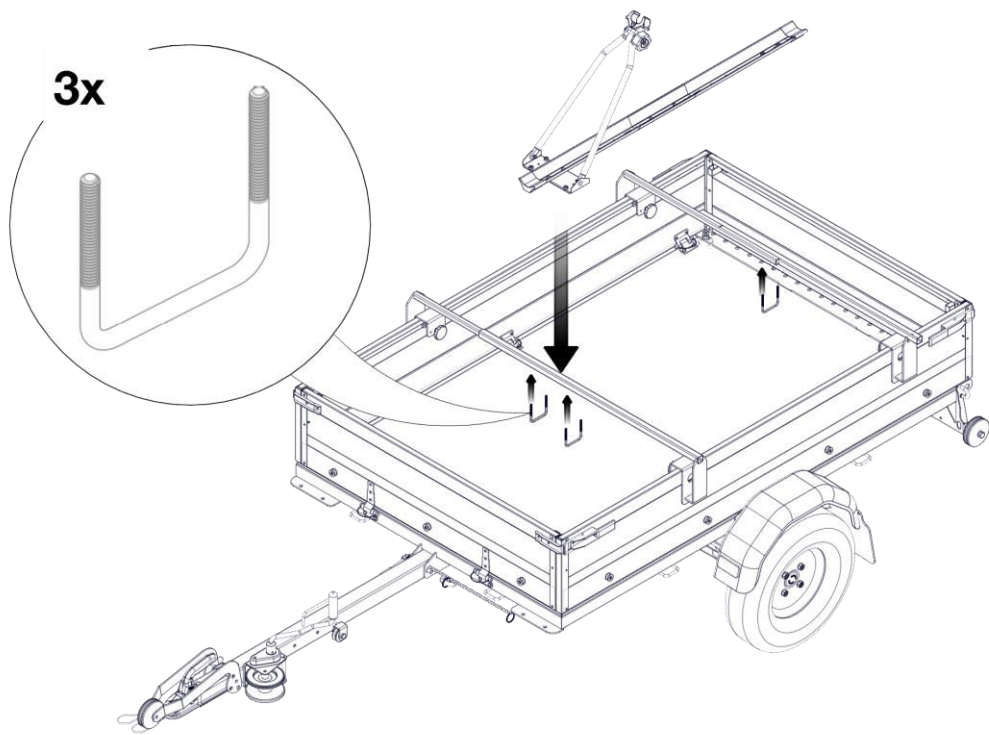


2 b



3

3



4

